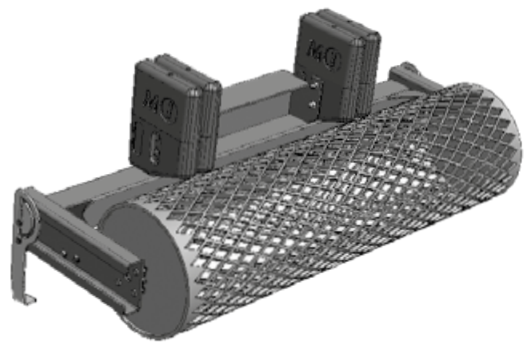
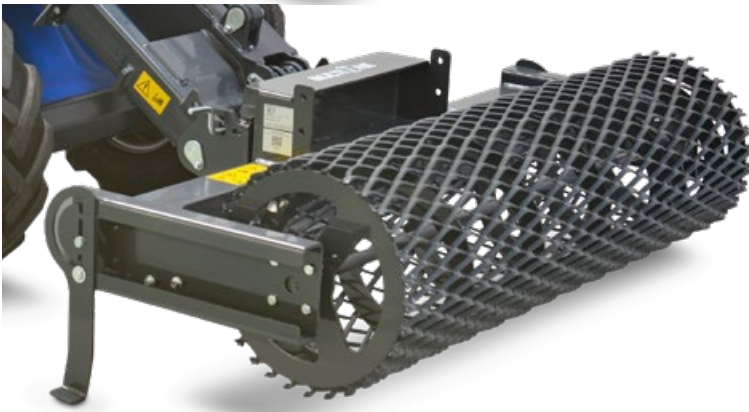
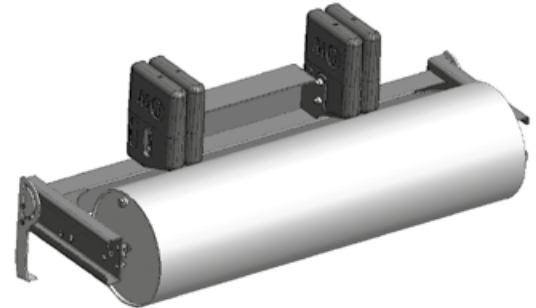
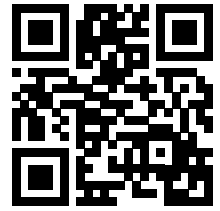


# ROLLER

<http://tiny.cc/m1roller>



## FEATURES & BENEFITS

- Perfect attachment to compact soils
- Weights can be added to increase compaction
- Two models: mesh and fillable

A simple and inexpensive but incredibly useful and efficient attachment for levelling and compacting of large areas.

Thanks to MultiOne roller it is easily and quickly to level sand, mulch etc.

The roller is most commonly used in:

- Preliminary lawn bed levelling and compaction;
- Yard sand compaction;
- Driveway levelling and compaction.

Model	Volume	Working Width	Weight	Code
Plain roller fillable	178 l (47 gal)	150 cm (59 in)	165 kg (364 lbs)	<b>C890930</b>
Mesh roller	/	152 cm (59.8 in)	170 kg (375 lbs)	<b>C890931</b>
<b>Options</b>				
Rear side weights 160 kg	/	/	160 kg (352 lbs)	<b>C883077</b>

Compatibility	1.1	2.3	4.2	5.2	5.3	6.3	7.2	8.4	8.5	11.6	11.9	EZ5	EZ7 EZ8
<b>Model</b>													
Plain roller fillable													
Mesh roller													

Very compatible
  Compatible
  Not compatible

