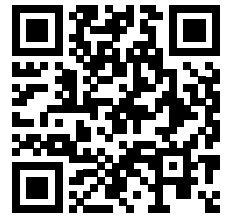


DEMOLITION GRAPPLE BUCKET

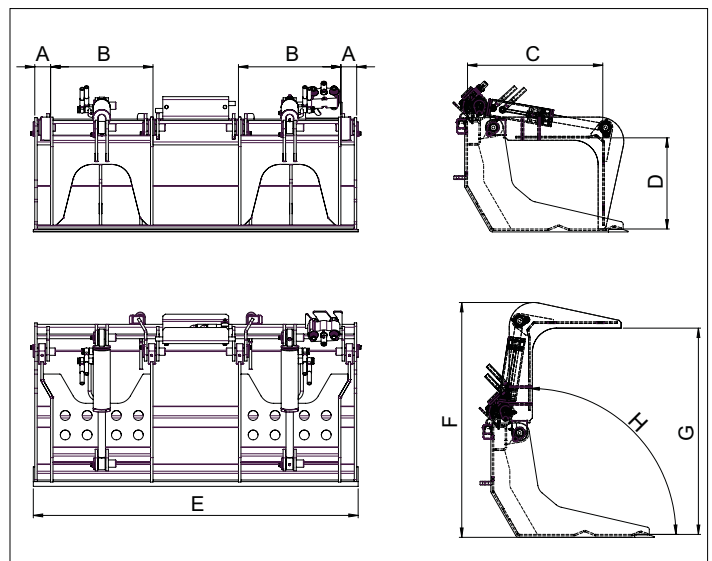
<http://tiny.cc/grapplebucket>



FEATURES & BENEFITS

- Move hard to handle materials easily
- Two hydraulic grapples easy to operate
- Handles bulky, uneven loads securely

This bucket is designed to handle bulky, irregularly shaped objects found in demolition, industries, construction, and recycling. Ideal for trunks, large rocks, bushes, industrial and demolition scraps, and recycling debris. The two grapples are driven by two powerful hydraulic cylinders, which allow them to adapt optimally to the load to be lifted while maintaining a solid and secure grip.



	Dimensions (cm/in)							
	A	B	C	D	E	F	G	H
Mod. 130	6,5/2.6	42/16.5	55,5/21.8	37/14.7	133/52.5	96/38	85/33	90°
Mod. 150	6,5/2.6	42/16.5	55,5/21.8	37/14.7	153/60	96/38	85/33	90°

Model	Width	Weight	Code
130	130 cm (51.2 in)	200 kg (441 lbs)	C890067
150	150 cm (59 in)	220 kg (485 lbs)	C890068

Compatibility	1.1	2.3	4.2	5.2	5.3	6.3	7.2	8.4	8.5	11.6	11.9	EZ5	EZ7 EZ8
Model													
130													
150													

Very compatible
 Compatible
 Not compatible

